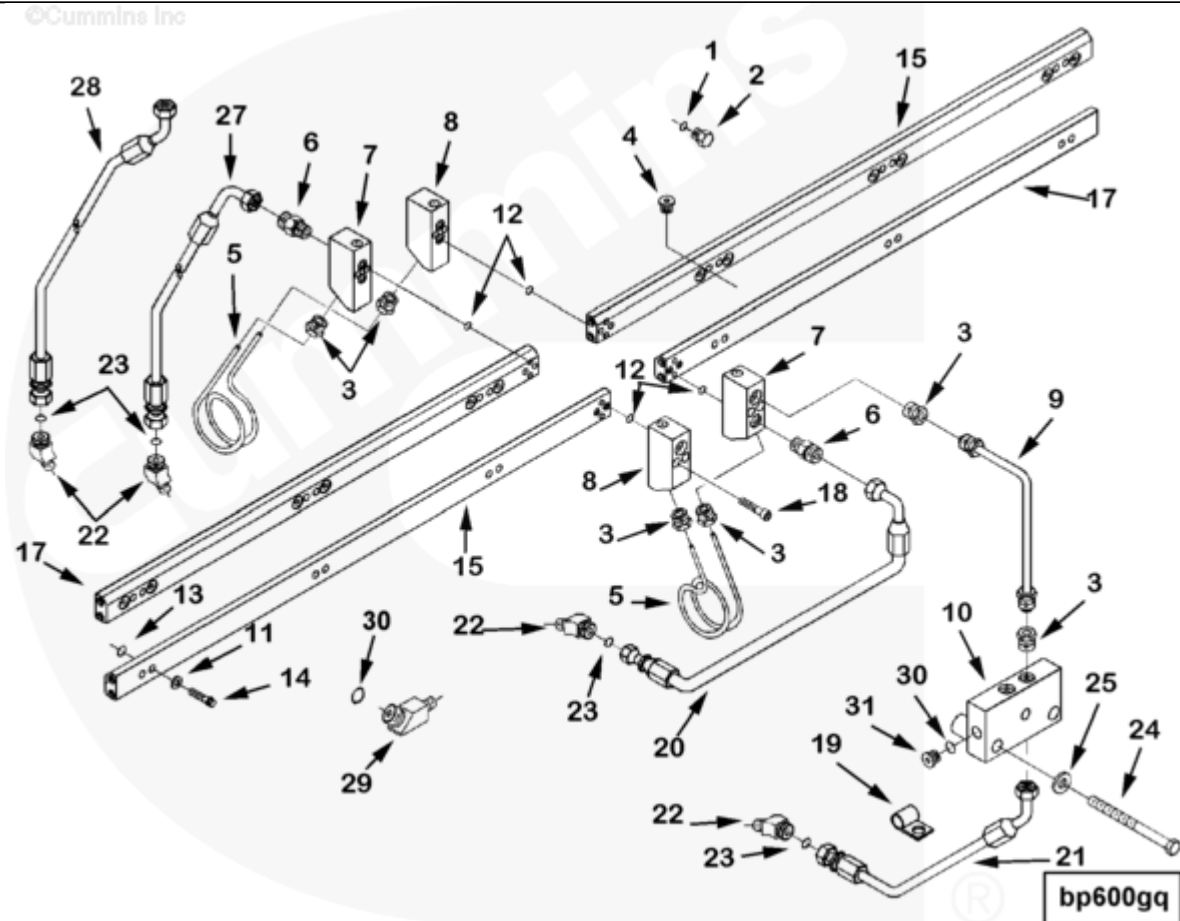




Parts Catalog - Option Detail

Electronic Parts Catalog - Option Detail				
Option	Group	Graphic	Film Card	Date
BP6738-06	06.01.6	bp600gq	K38	03-MAY-00
Engines	GTA38, K38, KTA38GC CM558, QSK38 CM2150 K106, QSK38 CM2150 MCRS, QSK38 CM850 MCRS			



SMALL | MEDIUM | LARGE

Cart	Ref No	Part Number	Part Description	Required	Remarks
View My Cart					
		BP6738-06	Fuel Manifold		Fuel manifolds for:...(More)
					* KTA 38 with side mounted
					aftercoolers. (LTA and
					outboard)
					* dual STC engines only

					Includes marine hoses.
<input type="checkbox"/>		3023217	Threaded Plug	4	7/16 - 20 UNF
<input type="checkbox"/>	1	3036666	O-Ring Seal	4	
	2	3630034	Threaded Plug	4	
<input type="checkbox"/>	3	3633045	Tube Connector	12	
<input type="checkbox"/>	4	3067424	Threaded Plug	4	1/2 - 20 UNF.
<input type="checkbox"/>	5	3176710	Fuel Supply Tube	2	
<input type="checkbox"/>	6	3081950	Male Union	2	1 - 14 x 3/4 - 16
		3085824	Male Union	2	Service as 3081950
<input type="checkbox"/>		3037537	O-Ring Seal	2	
<input type="checkbox"/>		3922794	O-Ring Seal	2	
<input type="checkbox"/>	7	3628517	Fuel Block Connection		
<input type="checkbox"/>	8	3628518	Fuel Block Connection		
<input type="checkbox"/>	9	3628931	Fuel Supply Tube	4	
<input type="checkbox"/>	10	3630364	Fuel Block Connection		
<input type="checkbox"/>	11	127018	Plain Washer	24	1/4 in.
<input type="checkbox"/>	12	131026	O-Ring Seal	12	
<input type="checkbox"/>	13	3001340	O-Ring Seal	24	
<input type="checkbox"/>	14	3001811	Twelve Point Cap Screw	24	1/4 - 20 X 1 Inch.
<input type="checkbox"/>	15	3633214	Fuel Manifold	2	
<input type="checkbox"/>	17	3633215	Fuel Manifold	2	
<input type="checkbox"/>	18	3175074	Socket Head Cap Screw	8	1/4 - 20 X 1 1/4 Inch.
<input type="checkbox"/>	19	3627412	Clip	2	
<input type="checkbox"/>	20	3628925	Flexible Hose	1	
<input type="checkbox"/>	21	3632890	Flexible Hose	1	
<input type="checkbox"/>		3095292	Male Adapter Elbow	2	
	22	3628633	Male Adapter Elbow	2	
<input type="checkbox"/>	23	3922794	O-Ring Seal	2	
<input type="checkbox"/>	24	S 169 A	Hexagon Head Cap Screw	4	3/8 - 16 X 4 1/2 Inch.
<input type="checkbox"/>	25	108330	Plain Washer	4	3/8 in.

<input type="checkbox"/>	27	3628927	Flexible Hose	1	
<input type="checkbox"/>	28	3628929	Flexible Hose	1	
<input type="checkbox"/>	29	3630764	Male Union Tee	1	
<input type="checkbox"/>		3067424	Threaded Plug	4	1/2 - 20 UNF
<input type="checkbox"/>	30	3037236	O-Ring Seal	4	Ref. SPT 97T10
	31	3067347	Threaded Plug	4	1/2-20 Thd

© 2019 Cummins Inc., Box 3005, Columbus, IN 47202-3005 U.S.A.
Terms of Use and Disclaimers | Recommended System Requirements
Need Assistance? Please click on the Contact Us button in the top right corner of any page.